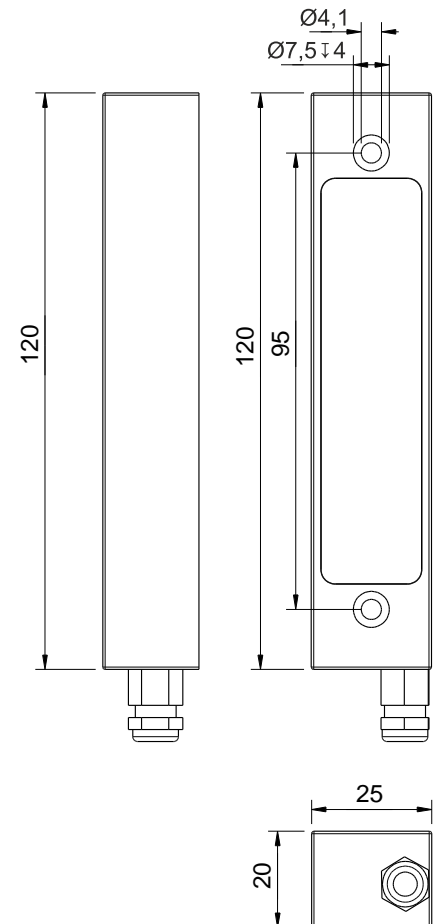


Technical Data

Power supply:	4 Watts
Connected load:	24V DC (-10% / +15%)
Connection type:	M8 plug connector with 4 pins, A-coded
Casing material:	anodised aluminum
Protection type:	IP 67
Protection class:	III
Lamp cover:	4mm clear tempered glass
Max. ambient temperature:	50°C
Mounting:	rigid
Max. screw head diameter:	7.5 mm / M4
Construction:	add-on version
Light distribution:	direct, narrow beam
Light colour:	neutral white, approx. 4000 K
Colour rendering (Ra):	>80
Dimensions:	Length= 120 mm, width= 25 mm
Weight:	approx. 0.135 kg
Special features:	beam angle 30°
Luminous flux:	approx. 420 lm
Luminous efficiency:	approx. 105 lm/W
Beam angle:	30°
Equipment:	LED energy efficiency class A+
Operating unit:	without



Illuminances

Measuring distance: 50 cm
Em: 180 lx
 Emax: 772 lx
 Emin: 28 lx

